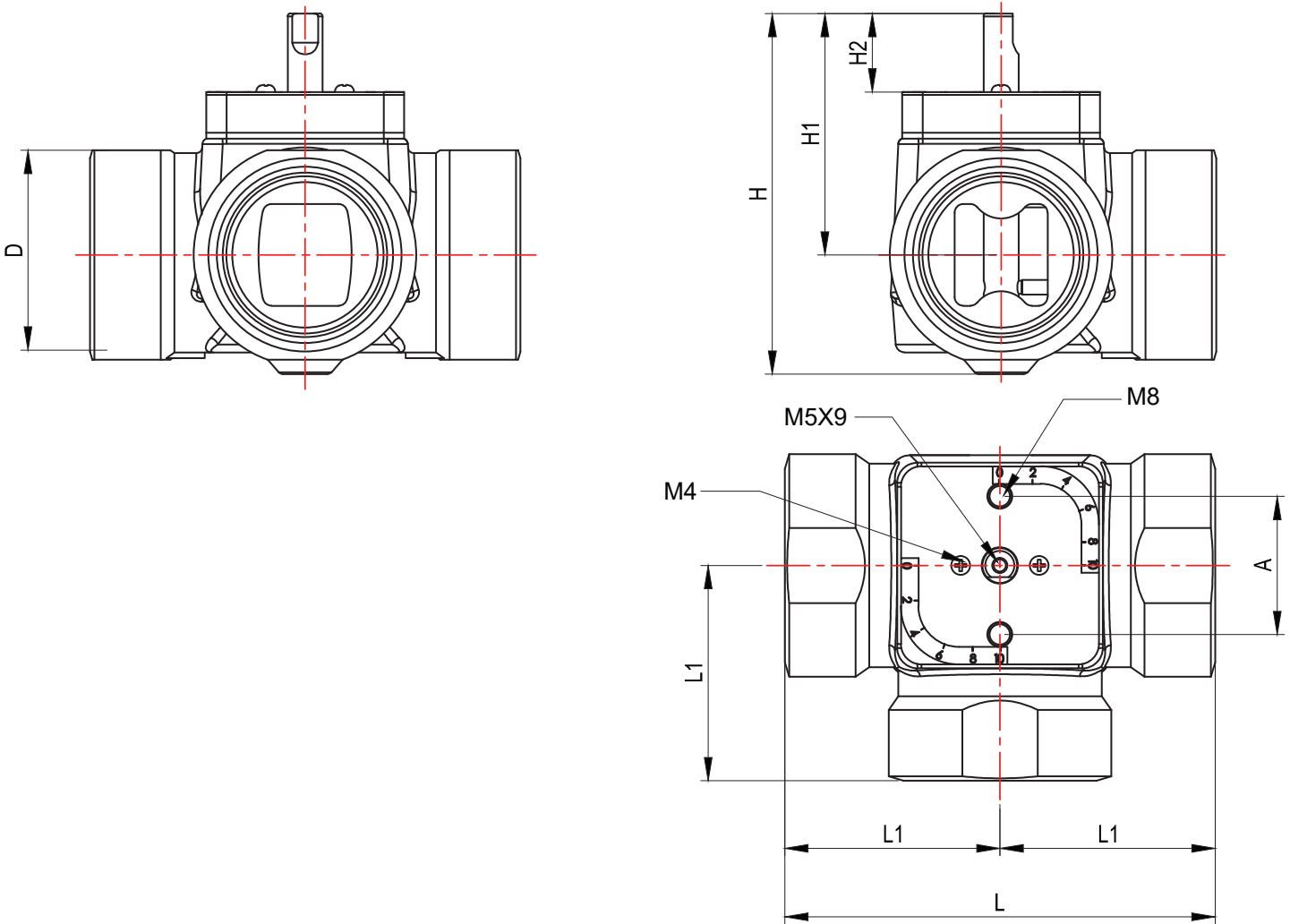


# Rotary Slipper Valve Screw Version-Model



Item	L	L1	D	H	H1	H2	A	Kvs	Torque
GBI31.20	110	55	RP3/4"	88.5	66.5	27.5	47.5	6.3	1.2Nm
GBI31.25	110	55	RP1"	95.5	71.5	27.5	47.5	10	1.2Nm
GBI31.32	130	65	RP1 1/4"	115.5	81.5	27.5	47.5	16	1.2Nm
GBI31.40	130	65	RP1 1/2"	123.5	86.5	27.5	47.5	25	1.2Nm
GBI31.50	148	74	RP2"	124.5	83.5	27.5	47.5	40	1.5Nm