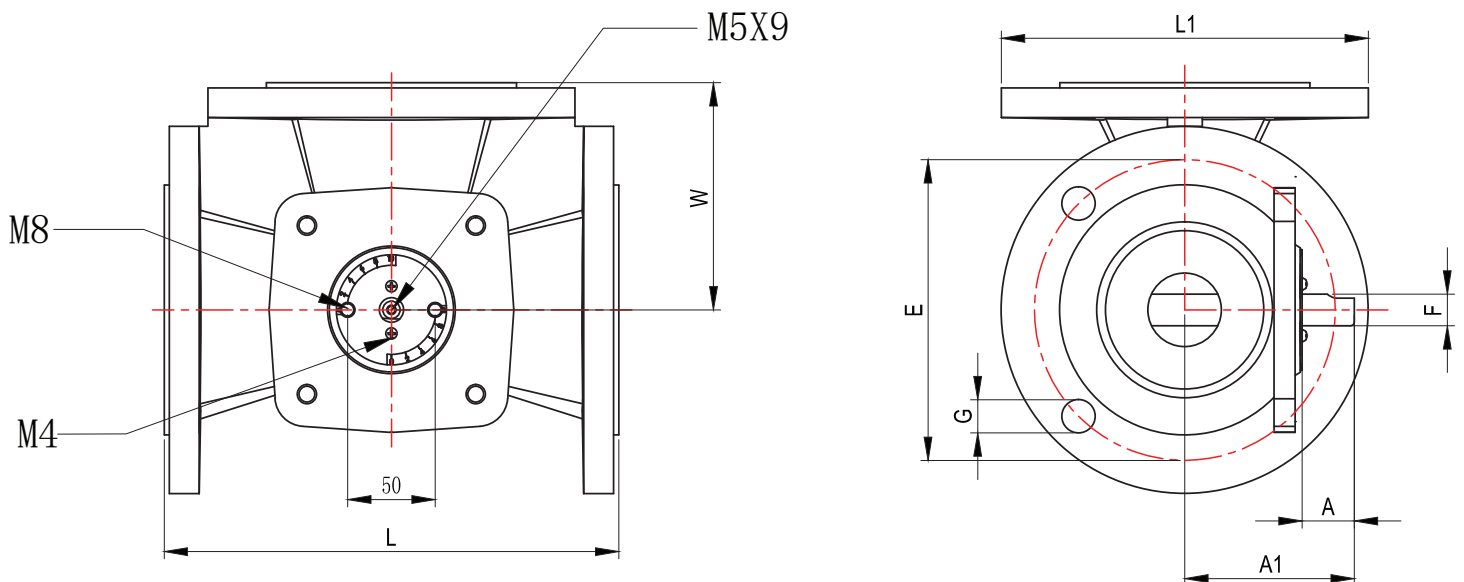


Rotary Slipper Valve Flanged Version-Model

Flange Connection PN6, Standard DIN 2531



Item	DN	L	L1	F	A	A1	W	G	E	Kvs	Torque
GRV21.65	65	200	160	12	27.5	72	100	4X14mm	130	63	1.5Nm
GRV21.80	80	230	190	12	27.5	79	115	4X19mm	150	100	1.8Nm
GRV21.100	100	260	210	12	27.5	99	130	4X19mm	170	160	5.0Nm
GRV21.125	125	320	240	12	27.5	94	160	8X19mm	200	280	7.5Nm
GRV21.150	150	350	265	12	27.5	99	175	8X19mm	225	400	8.0Nm